

Telescopic buttstock with fixed adapter CRC 9036


**WARNING**

First of all, make sure that the weapon is unloaded, the chamber is empty and sufficient level of safety is provided.

Read the instructions carefully before installing. With careless handling, spring-loaded parts can pop out with enough strength to cause injury.

Remember that careless handling of the weapon can lead to injury or death.

KPYK Industries LLC is not liable for injury, death or damage to property that arose due to incorrect installation, unauthorized modification or unlawful use of this product.

Thank you for purchasing our product. Rest assured that we have made every effort to make this project the best in the class and make happy all its owners.

All loaded parts of the buttstock are milled from whole aluminum plates of various series. This allows us to talk about a large margin of safety when used even in extreme conditions.

**INSTALLING**
**STEP 1**

First of all, make sure that the weapon is unloaded, the chamber is empty and sufficient level of safety is provided.

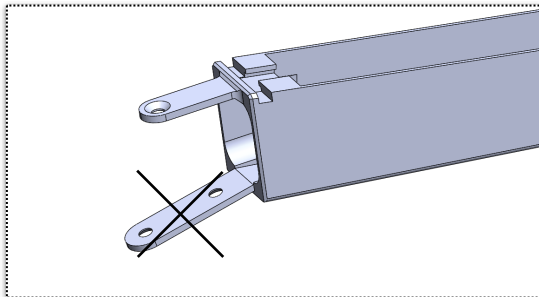
Read the instructions carefully before installing. With careless handling, spring-loaded parts can pop out with enough strength to cause injury.

Remember that careless handling of the weapon can lead to injury or death.

KPYK Industries LLC is not liable for injury, death or damage to property that arose due to incorrect installation, unauthorized modification or unlawful use of this product.


**WARNING**

Installing CRC 5002/9036 buttstock requires dismantling the lower tang of your rifle !


**STEP 2**

Uninstall the old buttstock with lower tang.

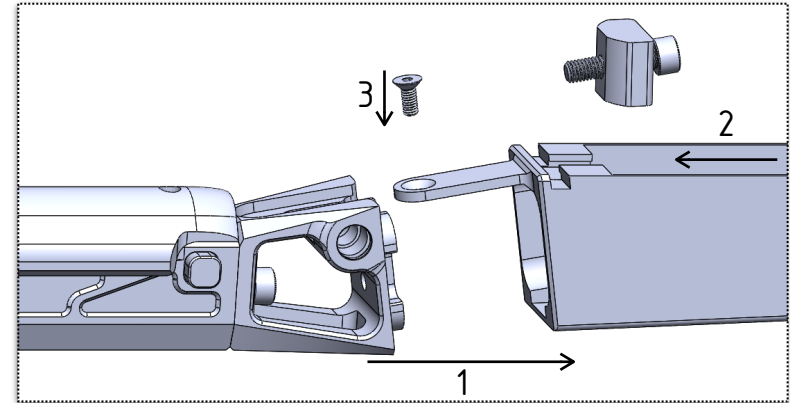

**WARNING**

For the reliability of the mounting, we recommend greasing the screws by threadlocker with medium bond strength.

**STEP 3**

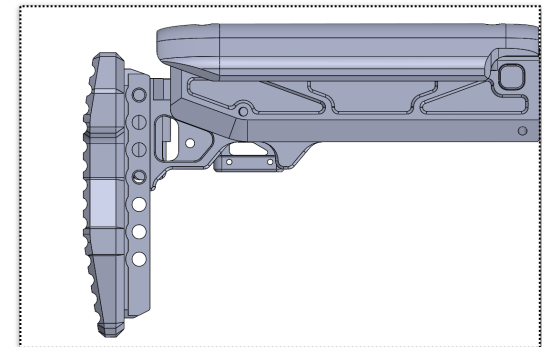
- 1 - Insert the buttstock with the adapter into the receiver
- 2 - Put in spacer and tighten screw through the spacer
- 3 - Tighten the upper tang locking screw

PICTURE 1


**STEP 4**

Set the buttplate at a height convenient for you.

PICTURE 2



## PRODUCT FEATURES and TECHNICAL DATA

- ✓ Weight – 510 gr.
- ✓ Length – from 17.5 cm. till 22 cm.
- ✓ Maximum lift of the cheekrest – 2 cm.
- ✓ Number of cheekrest position – 4.
- ✓ Height adjustment of the buttplate +/- 3 cm.
- ✓ Has regular places for fastening of a belt on a sling and on QD.
- ✓ In all loaded threads we use special stainless steel inserts that increase the possible tightening force of the screws and increase the service life of the thread itself
- ✓ 90 % of all loaded parts are milled from whole aluminum plates of various series.
- ✓ Manufacturing method – milling
- ✓ For maximum surface protection, we are using two-component ceramic CERAKOTE coating

## IN THE SET

1. Telescopic buttstock CRC 5002 – 1 pc.
2. Folding adapter CRC 9036 – 1 pc.
3. QD flush cup – 1 pc.
4. Screws and wrenches kit – 1 pc.
5. Spring clip – 1 pc.



### WARNING

For the reliability of the mounting, we recommend greasing the screws by threadlocker with medium bond strength.

## WARRANTY and SERVICE LIFE



Service life – unlimited.

12 month warranty. This means that in case of detecting a manufacturing defect during the 12 month, such a product will be replaced with a new analogue or KPYK Industries LLC. (or an authorized representative) make a free repair.

[crook.com.ua](http://crook.com.ua)



Facebook



KPYK Industries LLC  
12 Antona Tsedika st., Kyiv 03057, Ukraine  
[www.crook.com.ua](http://www.crook.com.ua),  
[inbox@crook.com.ua](mailto:inbox@crook.com.ua)  
All rights reserved

“KPYK” is the registered trademark of KPYK Industries LLC. All rights reserved.

“CERAKOTE” is the registered trademark of NIC Industries, Inc. All rights reserved.